

HS-1199 PRE-AMP SCHEMATIC DIAGRAM

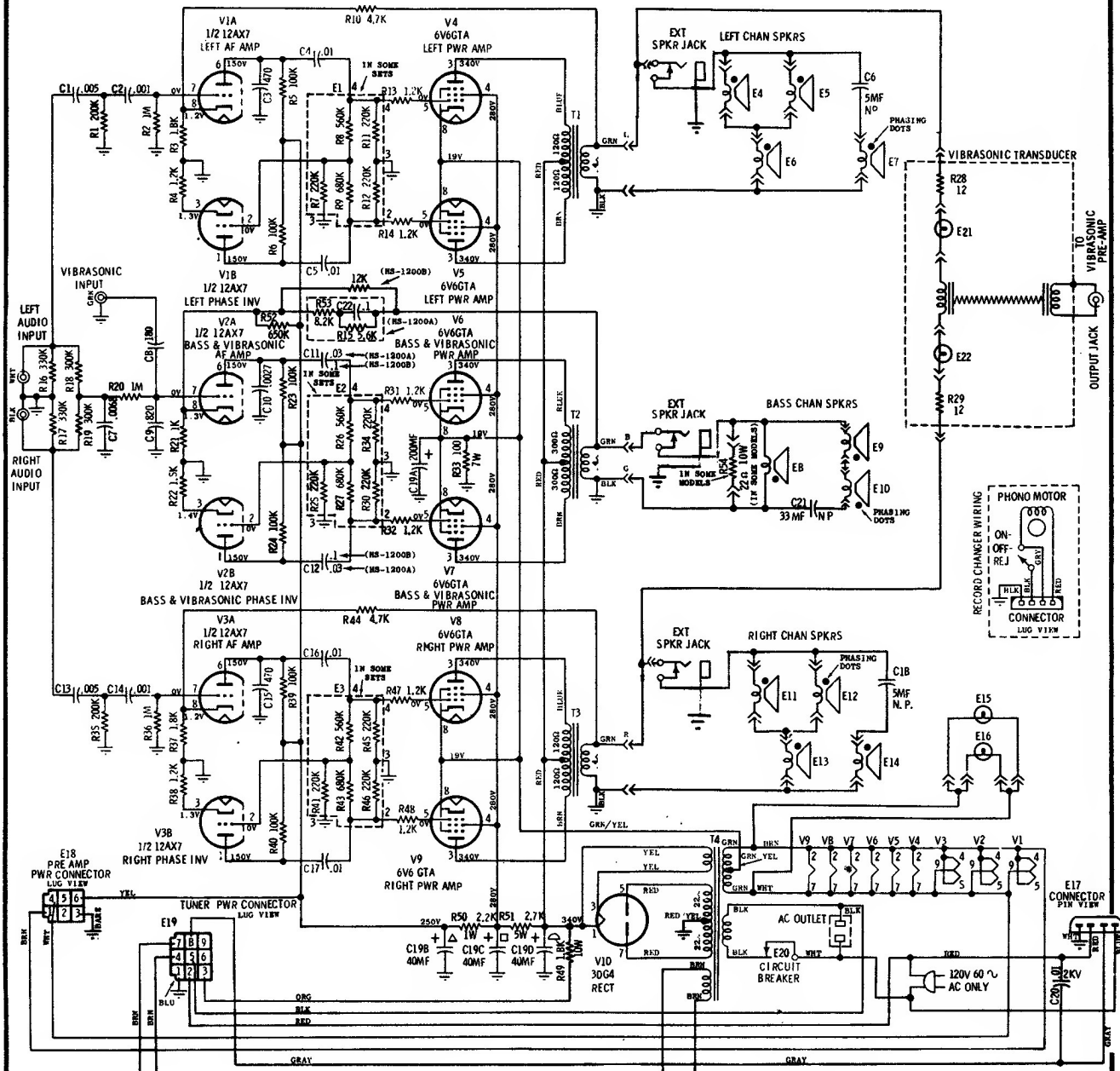
NOTES:  
 CAPACITORS - UNLESS OTHERWISE SPECIFIED,  
 DECIMAL VALUES IN MF; ALL OTHERS IN MMF.  
 VOLTAGES - MEASURED FROM POINT INDICATED  
 TO CHASSIS WITH A VTVM. ± 10% NO SIGNAL INPUT.  
 † ARROW INDICATES CLOCKWISE ROTATION OF CONTROL

MOTOROLA Chassis HS-1199 Pre-Amplifier

# MOTOROLA

MODELS SK151,152, SKR151,152,155,156,157,158,159,160

CHASSIS HS-1141,1199,1200,1200-1



HS-1200,1200-1 POWER AMP SCHEMATIC